

# DHI-ASGB8XXH-X

## Dahua Swing Barrier



### Technical Specification

#### System

Main Processor	Embedded Processor
----------------	--------------------

#### Basic

Product Type	Swing turnstile
Motor	Brushless servo motor
Status Indicator Light	Blue light glows: Standby status. Red light flashes: Device anomaly. Green light glows: Authenticated. Green light flashes: Passage is allowed.

#### Performance

MCBF	8 million times
Passage Width	600mm (23.62")
Max Custom Passage Width	900 mm (35.43") (Tempered glass/Acrylic)
Input Port	RS-485
Passing Speed	Normally closed: 20–35 people/minute
Unlock/Lock Speed	0.8 s–1.5 s, with 1.2 s by default.
Pairs of IR Detectors	12 pairs
Top Cover Thickness	12 mm (0.47")
Frame Thickness	2 mm (0.08")
Barrier Thickness	10 mm (0.39")

- The cabinet is built of 304 stainless steel that is 2.0 mm thick.
- 12 pairs of built-in IR detectors.
- Uses a DC brushless servo motor.
- Auto closes barriers when no one enters the turnstile after the specified time.
- Supports restoring the system parameters to their default values.
- Supports sound and light alarms.
- MCBF (Mean Cycles Between Failures) is more than 8 million times.
- Supports normally opening the fire passage.
- Offers mechanical anti-squeeze and IR anti-squeeze and anti-collision functions.
- Features 9 combinations of passage modes. You can build the combinations using authorized, prohibited and free for entry and exit.
- Supports configuring the speed it opens and closes, passing time for people, and delaying the closing time.
- Supports second authentication, and memorizing passing data for entry and exit.
- Supports combining multiple authentication methods together such as face, fingerprint, and QR code to create a variety of authentication methods.
- A barrier matching the width of the passage needs to be purchased separately. The barrier is not included in the package.

#### Port

Network Port	1 × 10/100 Mbps self-adaptive Ethernet port
--------------	---

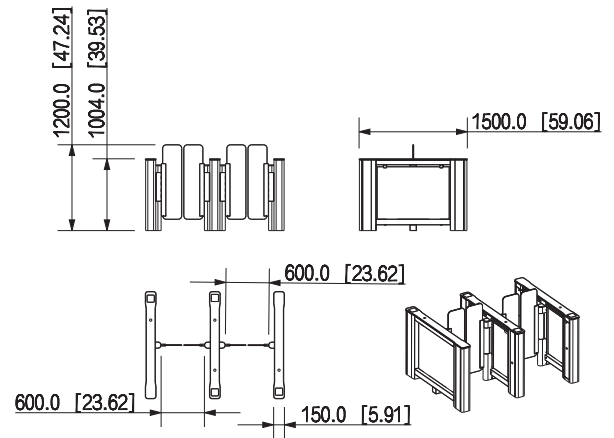
#### General

Power Supply	100–240 VAC, 50/60 Hz
Vandal-proof Rating	Artificial stone, stainless steel: IK07, swiping card panel: IK04
Power Consumption	≤50 W (standby), ≤300 W (working)
Product Dimensions	Single-motor: 1500 mm × 150 mm × 1000 mm (59.06" × 5.91" × 39.37") (L × W × H) Double-motor: 1500 mm × 280 mm × 1000 mm (59.06" × 11.02" × 39.37") (L × W × H)
Gross Weight	Single-motor: 120 kg (264.55 lb) Double-motor: 130 kg (286.60 lb)
Operating Environment	Indoor
Anti-corrosion Level	Basic Protection

## Ordering Information

Type	Model	Description
Swing Barrier	DHI-ASGB810H-L	Single left turnstile, with one card reader board
	DHI-ASGB811H-L	Single left turnstile, with one card reader board and one face recognition terminal installation hole
	DHI-ASGB820H-D	Single middle turnstile, with two card reader boards
	DHI-ASGB821H-D	Single middle turnstile, with two card reader boards and one face recognition terminal installation hole
	DHI-ASGB822H-D	Single middle turnstile, with two card reader boards and two face recognition terminal installation holes
	DHI-ASGB810H-R	Single right turnstile, with one card reader board
	DHI-ASGB811H-R	Single right turnstile, with one card reader board and one face recognition terminal installation hole

## Dimensions (mm[inch])



## Application

